



Side Discharge Tenders

16FT Truck Mounted

Home of Worldwide Quality Blending, Conveying, Tending, & Spreading Products!



#304 Stainless Steel Hoppers

10" Stainless Steel Tube with Stainless Steel Flighted Auger

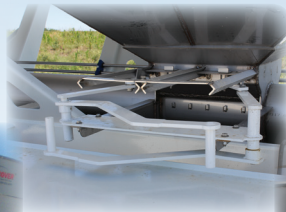
Side Discharge

Modular, Multi-Hopper Design

Fertilizer Auger Tender

Hydraulically Operated

Truck Mounted



Doyle Equipment Mfg. Co., Inc.

4001 Broadway, P.O. Box 3024, Quincy, IL 62305

Toll Free: 800-788-8085 Fax: 217-223-3655

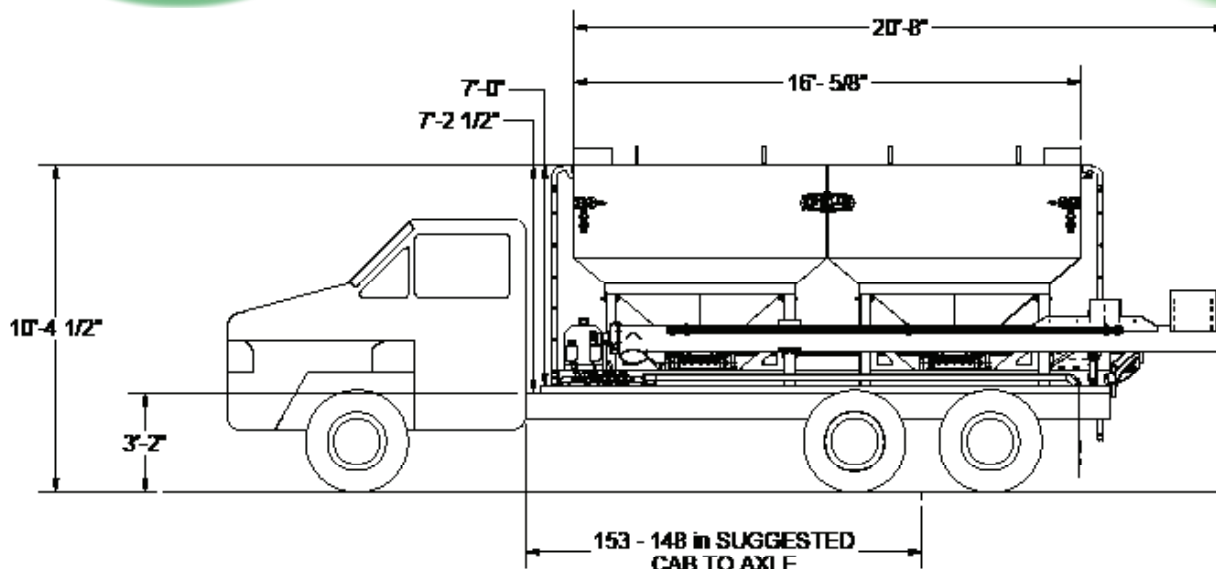
E-mail: doyle@doylemfg.com Web Site: www.doylemfg.com





Capacity

Hopper Capacity (water level)....516 cu.ft.



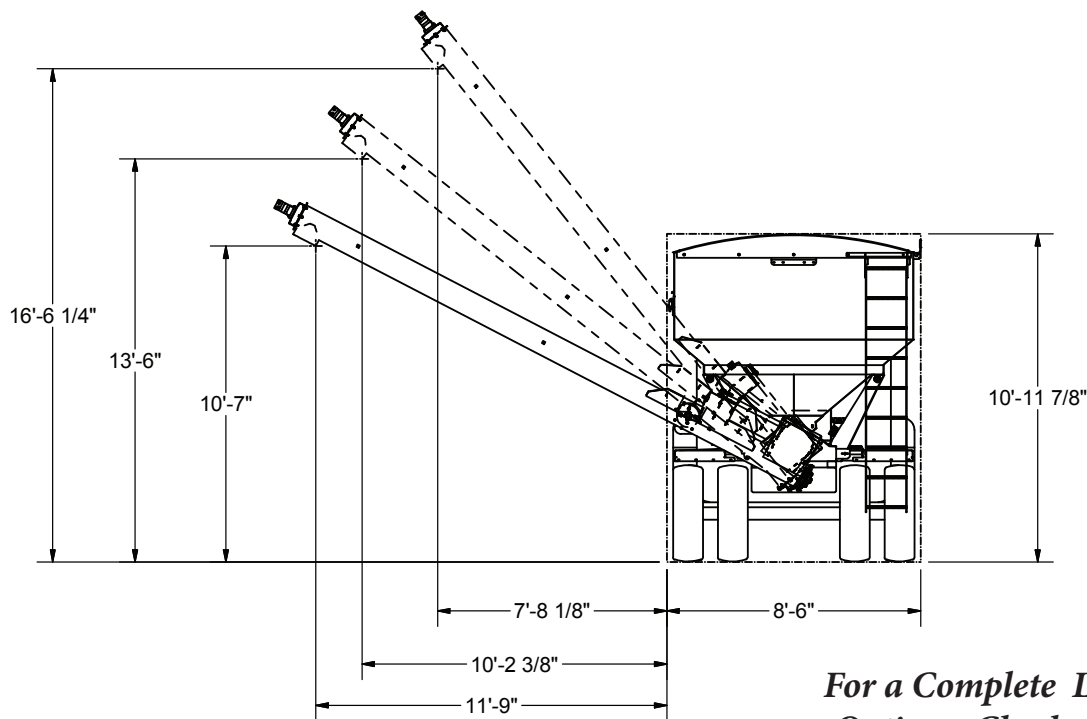
HOPPER DIMENSIONS

AUGER SPECS

Based on 38 inch truck frame height.

Hopper length..... 16 ft. (4.88 m)
 Hopper width..... 8 ft. (2.44 m)

Tube size..... 10 in. (254 mm)
 Discharge rate..... 3,500 lbs./min.... (1,588 kg/min.)
 Discharge height (maximum)..... 16.6666 ft.(4.04 m)
 Discharge height (minimum)..... 11.5833 ft.(3.53 m)
 Auger length..... 20 ft. (6.09 m)



For a Complete List of Features & Options, Check out Our Website:

www.doylemfg.com